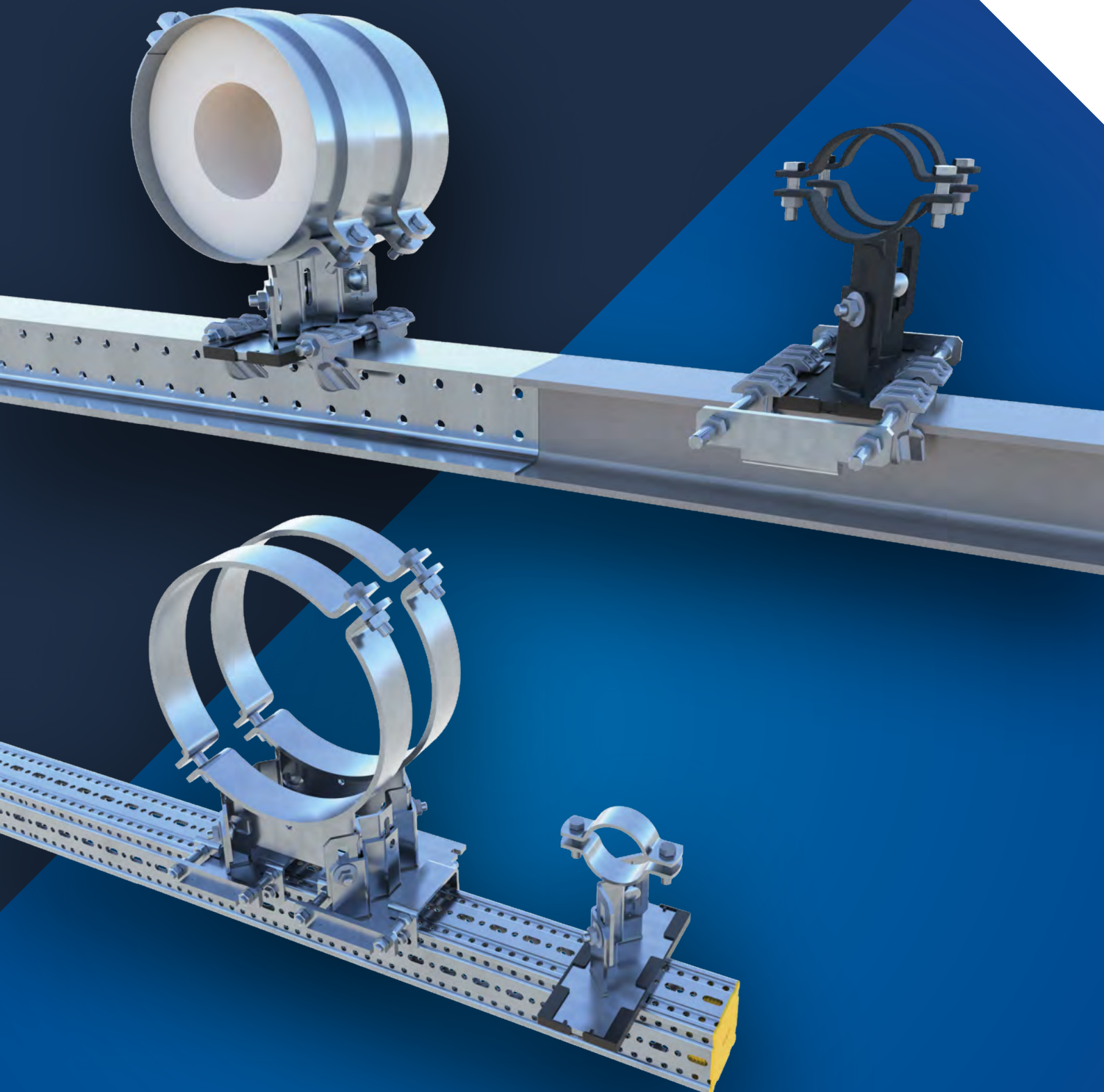


sikla

# Pipe Shoe solutions

Technical data and application



# Content

<b>General information</b>	<b>Page 2</b>
<b>Product selection guide</b>	<b>Page 4</b>
<b>Stepless clamping range</b>	<b>Page 5</b>
<b>HT pipe shoes</b>	<b>Page 6</b>
<b>LK Insulated pipe shoes</b>	<b>Page 7</b>
<b>System components</b>	<b>Page 8</b>
<b>Software &amp; Service</b>	<b>Page 9</b>
<b>EPD &amp; Certifications</b>	<b>Page 10</b>
<b>Product range</b>	<b>Page 12</b>

## Application of pipe shoes

Pipe supports are required to ensure that pipework is installed safely. Compared to pipe clamps, pipe shoes provide a significant increase in load-bearing capacity.

Pipe shoes can also be used as a fixed or guiding bracket which allows integration into different applications. When mounted onto steel beams, a minimum flange width of 80 mm should be taken into account to ensure a stable base.

The direct height adjustability of the pipe shoe allows precise adjustment to on-site tolerances. This feature ensures effective compensation for possible deviations and thus guarantees optimum alignment of the components. The quality and safety of the tube bearings are confirmed by TÜV Rheinland certification.

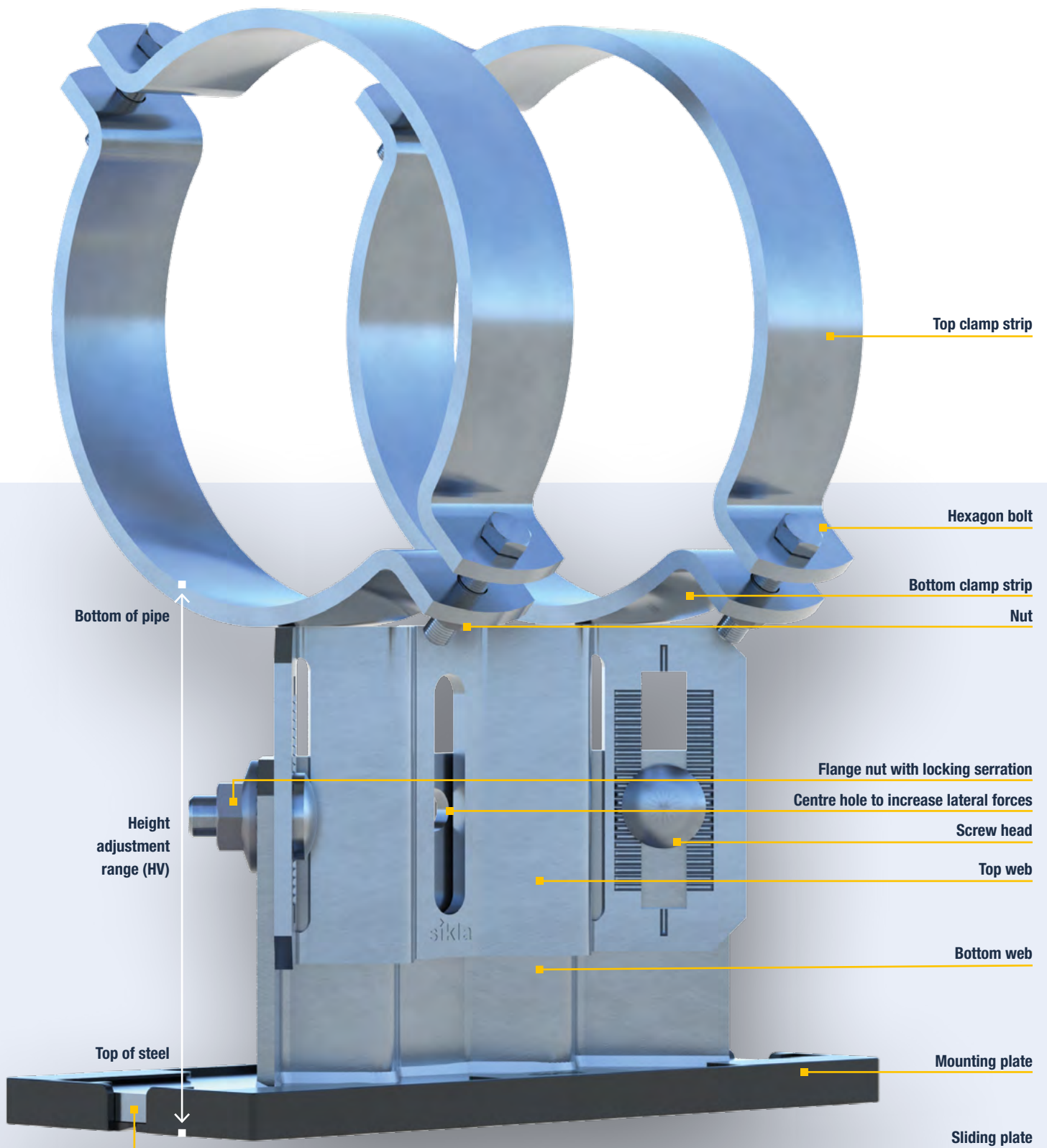
## Characteristics of a pipe shoe

- **Three height adjustment ranges\* in 2.5 mm increments:**
  - HV 90 (88,5 mm to 113,5 mm)
  - HV 150 (116 mm to 168,5 mm)
  - HV 200 (171 mm to 223,5 mm)
- **The high vertical loads are achieved through the combination of the:**
  - Embossing of the grooves in the bridge
  - Teeth of the truss-head bolt
  - The locking gearing

- ✓ **Glass fibre reinforced polyamide sliding plate reduces the friction on steel to  $\mu_0 = 0.2$**
- ✓ **Connections to siFramo and steel connections ensure maximum flexibility without welding**
- ✓ **The possible additional screw connection in the centre hole increase the absorption of lateral forces**
- ✓ **Slope of 2% can be achieved**

\*all height dimensions refer to the "Top of Steel" to Bottom of pipe as a reference

# Structure of a pipe shoe



# Product selection guide

Feature	Standard DN	Stepless	High temperature pipe shoe	Insulated pipe shoe
HV 90	✓	✓	✗	✗
HV 150	✓	✓	✓	✓
HV 200	✓	✓	✓	✗
LA pipe shoe (single clamp with a web and a mounting plate)	✓	✓	✗	✓
LC pipe shoe (double clamp with one web and mounting plate)	✓	✓	✓	✓
LD pipe shoe (double clamp with two webs and mounting plates)	✓	✓	✓	✗
Sliding plate	✓	✓	✗	✓
Fixed point possible with pipe shoe	✓	✓	✓	✗
Temperature range	-20°C to 300°C	-20°C to 300°C	300°C to 500°C	-70°C to 120°C
Coating	Hot-dip galvanised (tZn)	Hot-dip galvanised (tZn)	Powder coating (black)	Hot-dip galvanised (tZn)
Features	DN sizes only	In addition to DN sizes, all intermediate sizes Infinitely variable up to 600mm available	High temperature range	Avoidance of condensation

# Stepless Clamping range



**The recommended load values of the Simotec pipe shoes can be found in our user guideline.**

Whether its a plastic pipe, glass fibre reinforced, insulated or with inserts - pipe shoes can be used and covers a wide clamping. From 14 mm to 610 mm. With their simultaneous height adjustment, they offer a customised solution for a wide range of applications. The range of use extends from  $-20^{\circ}\text{C}$  to  $300^{\circ}\text{C}$ , which means they can be used in a wide variety of industries.

The sliding plate, pre-mounted as standard on the base plate of the pipe shoe, ensures an optimum coefficient of friction between the pipe shoe and steel of  $\mu_0 = 0.2$ .

The sliding plate must be dismantled if the temperature exceeds  $270^{\circ}\text{C}$ . In this case, however, a static friction coefficient of  $\mu_0 = 0.3$  must be taken into account; the functionality remains unaffected.



## Material information

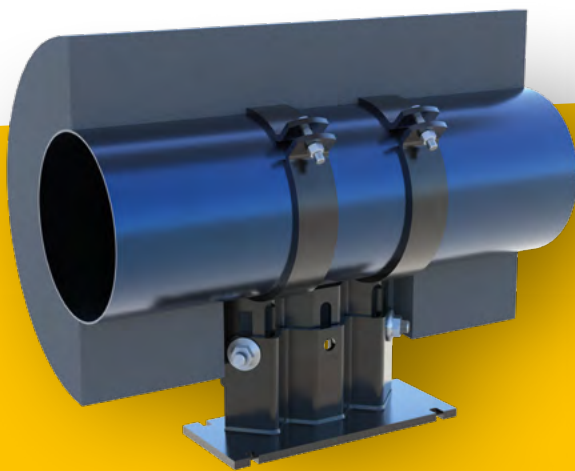
- Top and bottom clamp strip: S355MC DIN EN 10149-2
- Web bottom, web top, mounting plate: S235JR EN 10025-2
- Flange nut with the locking serration, nut: steel, strength 8
- Flat-round bolt (threaded), steel: Stahl, strength class 8.8, DIN EN ISO 898-1
- Hexagon bolt: Strength class 8.8
- Glass fibre reinforced polyamide sliding plate

### **Sikla offers a template for the ideal adaptation of the insulation to the contour of the bar:**

- ISC LA Part number 113332
- ISC LC/LD Part number 113333

# Efficient solutions for media temperatures up to 500°C

## The high-temperature pipe shoe (HT)



The coating has been specially developed for the use of pipe shoes at high media temperatures and it acts as a heat indicator. For temperatures above 400°C, the colour of the coating changes from black to a dark grey. The colour of the screws also changes. Neither colour change has any effect on the function.

The high-temperature pipe shoe is designed for use with pipes that transport hot media and covers standard nominal diameters from DN 15 to DN 600. The ideal application range extends from media temperatures of 300°C to 500°C.

The pipe shoes are only available in the height adjustment ranges of HV 150 and HV 200.

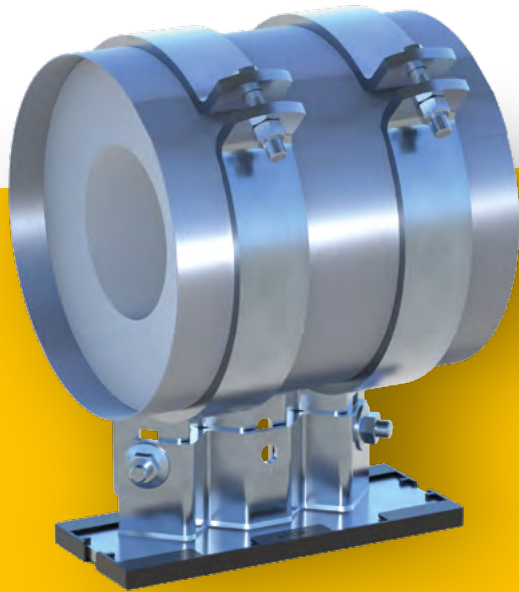
The high-temperature pipe shoes are supplied without a sliding plate due to expected temperatures. A static friction coefficient of  $\mu_0 = 0.3$  must be taken into account. This design ensures reliable support for pipes under extreme temperature conditions.

### Material information

- Top and bottom clamp strip, web bottom, web top, mounting plate:  
16Mo3 – EN 10028-2
- Flange nut with locking serration, nut: A4-80
- Flat-round bolt (threaded): A4-80
- Hexagon bolt: A4-70

# For transport cold media

## The Pre-Insulated Pipe Shoe (LK)



This design is ideal for reliably preventing prevention of condensation water and the resulting corrosion processes in the area of the pipe support for cold and chilled water pipes. This minimises expensive damage and safety risks are minimised.

- The application range for LK pipe shoes extends from -70°C to 120°C.
- The LK pipe shoe is only available in the HV 150 height adjustment range.
- Pipe Shoes, the load distribution plate and the insulation are supplied together, not pre-assembled.



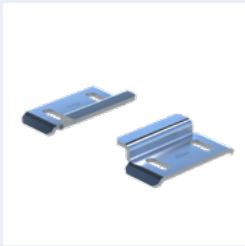
- The installation regulations of DIN 4140 must be observed during installation. Any gaps must be sealed with sealant.

### Material information

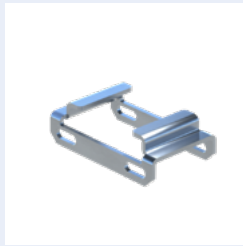
- Top and bottom clamp strip: S355MC DIN EN 10149-2
- Web bottom, web top, mounting plate: S235JR EN 10025-2
- Flange nut with locking serration, nut: steel, strength 8
- Flat-round bolt (threaded): steel, strength class 8.8, DIN EN ISO 898-1
- Hexagon bolt: Strength class 8.8
- Glass fibre reinforced polyamide sliding plate
- PUR foam: 200 kg/m<sup>3</sup>

# Associated system components

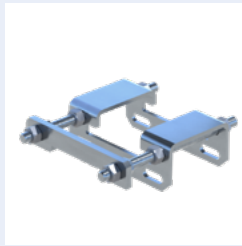
The extensive range of products for siFramo or conventional steel construction for the smooth relocation of axial stops, guide points and fixed points. The combination of pipe shoe and set or an associated system component can be used to create a guided support or fixed point as required.



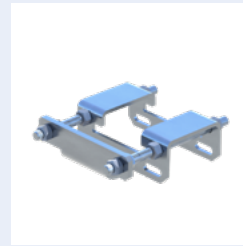
**Guiding bracket  
FW F L/Z**



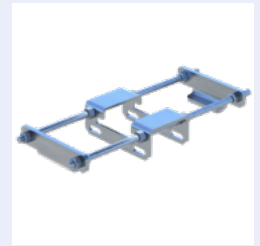
**Guiding bracket  
FW F**



**Fixed point bracket  
XW F**



**Axial stop  
AS F**



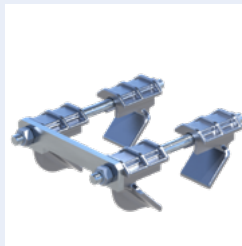
**Axial stop  
variable VAS F**



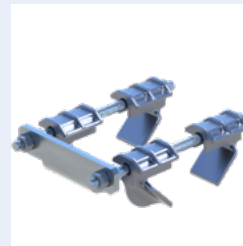
**Guiding set  
FS**



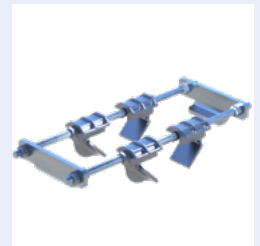
**Guiding set  
FS Z**



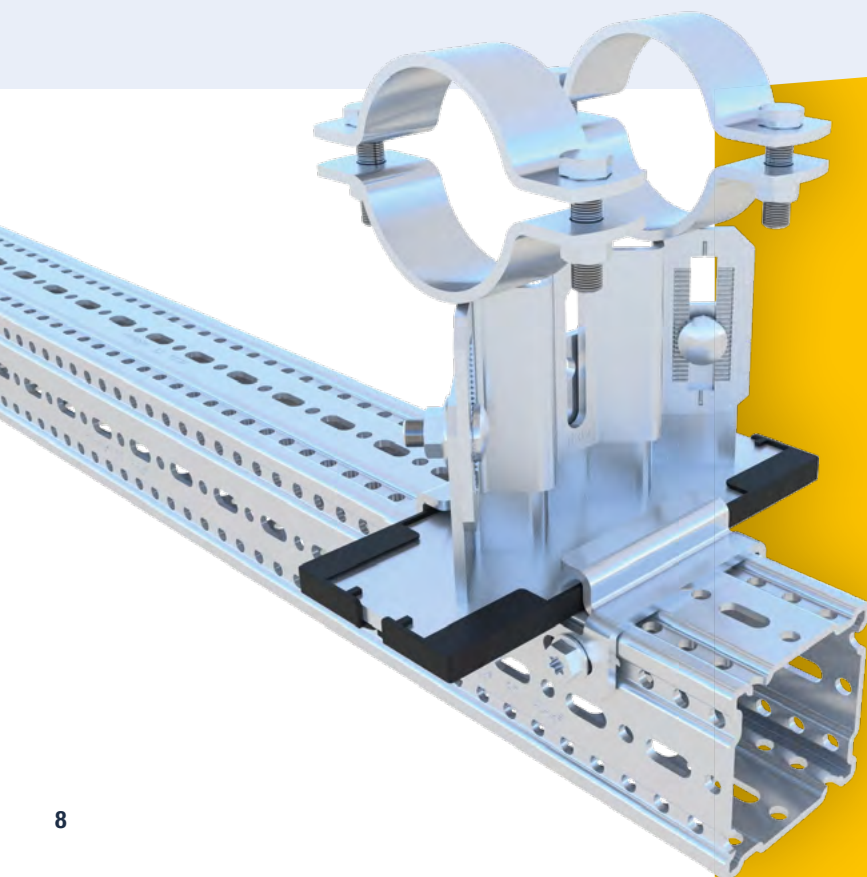
**Fixed point  
XS**



**Axial stop  
AS**

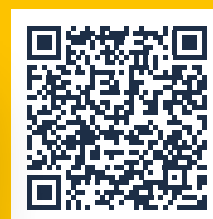


**Axial stop  
variable VAS**



**Would you like to find out more  
about pipe shoes?**

Take a look at our video series that provides valuable information and installation instructions.





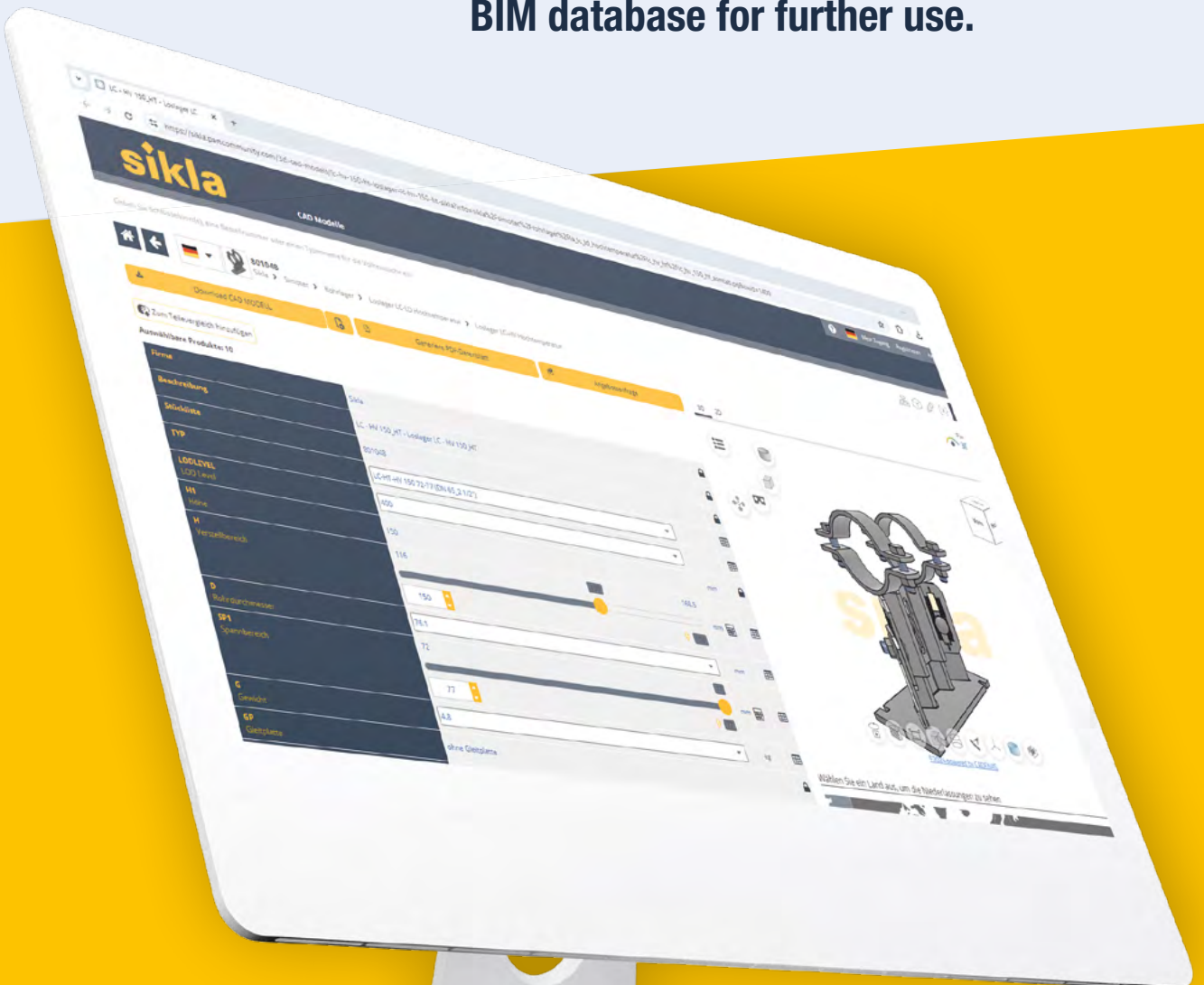


# Software & Service

All pipe shoe systems including accessories can be planned in our software plug-ins.

**SiCAD 4** REVIT      **SiCAD 4** E3D      **SiCAD 4** S3D  
**SiCAD 4** Plant3D

**Our pipe shoes and associated accessories are also available in our BIM database for further use.**





# Environmental Product Declarations

## EPD

The Environmental Product Declaration (EPD) contains data on the environmental impact of a product or building material during its life. It is based on relevant standards and provides a standardised, fact-based information basis for assessing product sustainability. On this basis, a well-founded comparison of CO<sub>2</sub> consumption is possible.

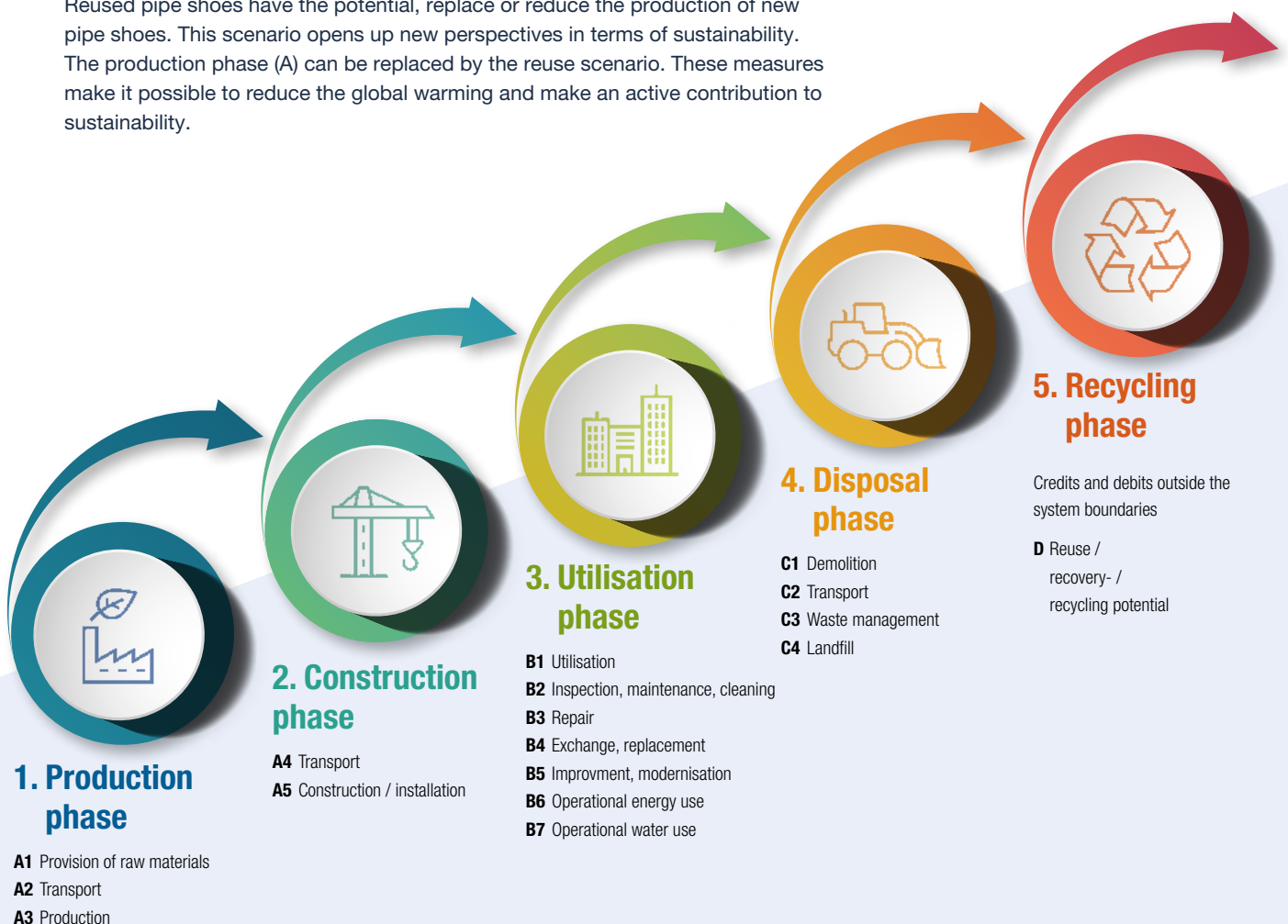
The labelling of the Environmental Product Declaration (EPD) for pipe bearings takes into account two different scenarios in the disposal phase:

### 1. Recycling

All pipe shoes are dismantled and sorted according to recyclable materials (plastic and steel). The plastic parts are either thermally utilised for energy purposes or sent to landfill. The metal components are melted down and returned to the steel production cycle.

### 2. Reuse

The standard pipe shoes can be reused without any loss of material. After dismantling, all components are transported to the new location for reassembly. Reused pipe shoes have the potential, replace or reduce the production of new pipe shoes. This scenario opens up new perspectives in terms of sustainability. The production phase (A) can be replaced by the reuse scenario. These measures make it possible to reduce the global warming and make an active contribution to sustainability.





# Voluntary external observation of building products by the LGA

Sikla undergoes a voluntary external observation by the LGA Bautechnik GmbH (Landesgewerbeanstalt Bayern). Certified specialists check Sikla's technical documentation and installation instructions. The LGA ensures the quality and safety of products, systems and services - for Sikla-safe use of our products in your application.

## Tested safety by TÜV Rheinland

The pipe shoes are tested by TÜV Rheinland and comply to the relevant standards. The necessary certificates can be issued if required. In combination with the siFramo modular system, a compliance document is created.



# LA - Pipe Shoe HV 90



The LA-Pipe shoes HV 90 HV 90 have a fixed BoP (Bottom of Pipe) range of 88.5 to 113.5 mm.

Type	D (pipe) [mm]	DN	Inch	Weight [kg]	MoP (Middle of Pipe)	Part number
LA-HV 90 14-18	14-18			2.8	95.5-122.5	801663
LA-HV 90 18-22 (DN 15) 1/2"	18-22	15	1/2"	2.8	97.5-124.5	112386
LA-HV 90 23-27 (DN 20) 3/4"	23-27	20	3/4"	2.8	100-127	112387
LA-HV 90 26-30	26-30			2.9	101.5-128.5	801664
LA-HV 90 30-34 (DN 25) 1"	30-34	25	1"	2.9	103.5-130.5	110035
LA-HV 90 35-39	35-39			2.9	106-133	801665
LA-HV 90 40-44 (DN 32) 1 1/4"	40-44	32	1 1/4"	2.9	108.5-135.5	110036
LA-HV 90 45-49 (DN 40) 1 1/2"	45-49	40	1 1/2"	3	111-138	110037
LA-HV 90 50-54	50-54			3	113.5-140.5	801666
LA-HV 90 55-59	55-59			3	116-143	801667
LA-HV 90 57-61 (DN 50) 2"	57-61	50	2"	3.1	117-144	110038
LA-HV 90 62-66	62-66			3.2	119.5-146.5	801668
LA-HV 90 67-71	67-71			3.2	122-149	801669
LA-HV 90 72-77 (DN 65) 2 1/2"	72-77	65	2 1/2"	3.2	124.5-152	110039
LA-HV 90 78-83	78-83			3.3	127.5-155	801670
LA-HV 90 84-89 (DN 80) 3"	84-89	80	3"	3.3	130.5-158	110040
LA-HV 90 89-95	89-95			3.5	133-161	801671
LA-HV 90 96-102	96-102			3.5	136.5-164.5	801672
LA-HV 90 102-109	102-109			3.6	139.5-168	801673
LA-HV 90 109-115 (DN 100) 4"	109-115	100	4"	3.6	143-171	110041
LA-HV 90 115-122	115-122			3.6	146-174.5	801674
LA-HV 90 122-128	122-128			3.7	149.5-177.5	801675
LA-HV 90 128-134	128-134			3.7	152.5-180.5	801676
LA-HV 90 134-140 (DN 125) 5"	134-140	125	5"	3.7	155.5-183.5	110042
LA-HV 90 140-146	140-146			3.8	158.5-186.5	801677
LA-HV 90 146-152	146-152			3.8	161.5-189.5	801678
LA-HV 90 152-158	152-158			3.9	164.5-192.5	801679
LA-HV 90 157-163	157-163			3.9	167-195	801680
LA-HV 90 163-169 (DN 150) 6"	163-169	150	6"	4.8	170-198	110043

# LA - Pipe Shoe HV 150



The LA-Pipe shoes HV 150 HV 90 have a fixed BoP (Bottom of Pipe) range of 116 to 168.5 mm.

Type	D (pipe) [mm]	DN	Inch	Weight [kg]	MoP	Part number
LA-HV 150 14-18	14-18			3.1	123-177.5	801681
LA-HV 150 18-22 (DN 15) 1/2"	18-22	15	1/2"	3.1	125-179.5	112388
LA-HV 150 23-27 (DN 20) 3/4"	23-27	20	3/4"	3.1	127.5-182	112389
LA-HV 150 26-30	26-30			3.2	129-183.5	801682

Type	D (pipe) [mm]	DN	Inch	Weight [kg]	MoP	Part number
LA-HV 150 30-34 (DN 25) 1"	30-34	25	1"	3.2	131-185.5	110044
LA-HV 150 35-39	35-39			3.2	133.5-188	801683
LA-HV 150 40-44 (DN 32) 1 1/4"	40-44	32	1 1/4"	3.2	136-190.5	110045
LA-HV 150 45-49 (DN 40) 1 1/2"	45-49	40	1 1/2"	3.3	138.5-193	110046
LA-HV 150 50-54	50-54			3.3	141-195.5	801684
LA-HV 150 55-59	55-59			3.3	143.5-198	801685
LA-HV 150 57-61 (DN 50) 2"	57-61	50	2"	3.5	144.5-199	110047
LA-HV 150 62-66	62-66			3.5	147-201.5	801686
LA-HV 150 67-71	67-71			3.5	149.5-204	801687
LA-HV 150 72-77 (DN 65) 2 1/2"	72-77	65	2 1/2"	3.6	152-207	110048
LA-HV 150 78-83	78-83			3.6	155-210	801688
LA-HV 150 84-89 (DN 80) 3"	84-89	80	3"	3.6	158-213	110049
LA-HV 150 89-95	89-95			3.8	160.5-216	801689
LA-HV 150 96-102	96-102			3.8	164-219.5	801690
LA-HV 150 102-109	102-109			3.9	167-223	801691
LA-HV 150 109-115 (DN 100) 4"	109-115	100	4"	3.9	170.5-226	110050
LA-HV 150 115-122	115-122			4	173.5-229.5	801692
LA-HV 150 122-128	122-128			4	177-232.5	801693
LA-HV 150 128-134	128-134			4	180-235.5	801694
LA-HV 150 134-140 (DN 125) 5"	134-140	125	5"	4.1	183-238.5	110051
LA-HV 150 140-146	140-146			4.1	186-241.5	801695
LA-HV 150 146-152	146-152			4.1	189-244.5	801696
LA-HV 150 152-158	152-158			4.2	192-247.5	801697
LA-HV 150 157-163	157-163			4.2	194.5-250	801698
LA-HV 150 163-169 (DN 150) 6"	163-169	150	6"	5.1	197.5-253	110052

## LA - Pipe Shoe HV 200



The LA-Pipe shoes HV 200 HV 90 have a fixed BoP (Bottom of Pipe) range of 171 to 223.5 mm.

Type	D (pipe) [mm]	DN	Inch	Weight [kg]	MoP	Part number
LA-HV 200 14-18	14-18			3.5	178-232.5	801699
LA-HV 200 18-22 (DN 15) 1/2"	18-22	15	1/2"	3.5	180-234.5	112390
LA-HV 200 23-27 (DN 20) 3/4"	23-27	20	3/4"	3.5	182.5-237	112391
LA-HV 200 26-30	26-30			3.5	184-238.5	801700
LA-HV 200 30-34 (DN 25) 1"	30-34	25	1"	3.5	186-240.5	110053
LA-HV 200 35-39	35-39			3.6	188.5-243	801701
LA-HV 200 40-44 (DN 32) 1 1/4"	40-44	32	1 1/4"	3.6	191-245.5	110054
LA-HV 200 45-49 (DN 40) 1 1/2"	45-49	40	1 1/2"	3.6	193.5-248	110055
LA-HV 200 50-54	50-54			3.6	196-250.5	801702
LA-HV 200 55-59	55-59			3.6	198.5-253	801703
LA-HV 200 57-61 (DN 50) 2"	57-61	50	2"	3.8	199.5-254	110056

Type	D (pipe) [mm]	DN	Inch	Weight [kg]	MoP	Part number
LA-HV 200 62-66	62-66			3.8	202-256.5	801704
LA-HV 200 67-71	67-71			3.9	204.5-259	801705
LA-HV 200 72-77 (DN 65) 2 1/2"	72-77	65	2 1/2"	3.9	207-262	110057
LA-HV 200 78-83	78-83			3.9	210-265	801706
LA-HV 200 84-89 (DN 80) 3"	84-89	80	3"	3.9	213-268	110058
LA-HV 200 89-95	89-95			4.1	215.5-271	801707
LA-HV 200 96-102	96-102			4.2	219-274.5	801708
LA-HV 200 102-109	102-109			4.2	222-278	801709
LA-HV 200 109-115 (DN 100) 4"	109-115	100	4"	4.3	225.5-281	110059
LA-HV 200 115-122	115-122			4.3	228.5-284.5	801710
LA-HV 200 122-128	122-128			4.3	232-287.5	801711
LA-HV 200 128-134	128-134			4.4	235-290.5	801712
LA-HV 200 134-140 (DN 125) 5"	134-140	125	5"	4.4	238-293.5	110060
LA-HV 200 140-146	140-146			4.4	241-296.5	801713
LA-HV 200 146-152	146-152			4.5	244-299.5	801714
LA-HV 200 152-158	152-158			4.5	247-302.5	801715
LA-HV 200 157-163	157-163			4.6	249.5-305	801716
LA-HV 200 163-169 (DN 150) 6"	163-169	150	6"	5.4	252.5-308	110061

## LC - Pipe Shoe HV 90



Die LC-Pipe shoes HV 90 HV 90 have a fixed BoP (Bottom of Pipe) range of 88.5 to 113.5 mm.

Type	D (pipe) [mm]	DN	Inch	Weight [kg]	MoP	Part number
LC-HV 90 14-18	14-18			3.5	95.5-122.5	801717
LC-HV 90 18-22 (DN 15) 1/2"	18-22	15	1/2"	3.5	97.5-124.5	112392
LC-HV 90 23-27 (DN 20) 3/4"	23-27	20	3/4"	3.5	100-127	112393
LC-HV 90 26-30	26-30			3.6	101.5-128.5	801718
LC-HV 90 30-34 (DN 25) 1"	30-34	25	1"	3.6	103.5-130.5	110062
LC-HV 90 35-39	35-39			3.6	106-133	801719
LC-HV 90 40-44 (DN 32) 1 1/4"	40-44	32	1 1/4"	3.7	108.5-135.5	110063
LC-HV 90 45-49 (DN 40) 1 1/2"	45-49	40	1 1/2"	3.7	111-138	110064
LC-HV 90 50-54	50-54			3.8	113.5-140.5	801720
LC-HV 90 55-59	55-59			3.8	116-143	801721
LC-HV 90 57-61 (DN 50) 2"	57-61	50	2"	4.1	117-144	110065
LC-HV 90 62-66	62-66			4.2	119.5-146.5	801722
LC-HV 90 67-71	67-71			4.3	122-149	801723
LC-HV 90 72-77 (DN 65) 2 1/2"	72-77	65	2 1/2"	4.3	124.5-152	110066
LC-HV 90 78-83	78-83			4.4	127.5-155	801724
LC-HV 90 84-89 (DN 80) 3"	84-89	80	3"	4.4	130.5-158	110067
LC-HV 90 89-95	89-95			4.8	133-161	801725
LC-HV 90 96-102	96-102			4.9	136.5-164.5	801726
LC-HV 90 102-109	102-109			4.9	139.5-168	801727

Type	D (pipe) [mm]	DN	Inch	Weight [kg]	MoP	Part number
LC-HV 90 109-115 (DN 100) 4"	109-115	100	4"	5.1	143-171	110068
LC-HV 90 115-122	115-122			5.1	146-174.5	801728
LC-HV 90 122-128	122-128			5.2	149.5-177.5	801729
LC-HV 90 128-134	128-134			5.3	152.5-180.5	801730
LC-HV 90 134-140 (DN 125) 5"	134-140	125	5"	5.4	155.5-183.5	110069
LC-HV 90 140-146	140-146			5.4	158.5-186.5	801731
LC-HV 90 146-152	146-152			5.5	161.5-189.5	801732
LC-HV 90 152-158	152-158			5.6	164.5-192.5	801733
LC-HV 90 157-163	157-163			5.6	167-195	801734
LC-HV 90 163-169 (DN 150) 6"	163-169	150	6"	7.1	170-198	110070
LC-HV 90 168-174	168-174			7.3	172.5-200.5	801735
LC-HV 90 174-180	174-180			7.4	175.5-203.5	801736
LC-HV 90 181-187	181-187			7.6	179-207	801737
LC-HV 90 188-194	188-194			7.7	182.5-210.5	801741
LC-HV 90 194-200	194-200			7.8	185.5-213.5	801738
LC-HV 90 201-207	201-207			8.0	189-217	801739
LC-HV 90 208-214	208-214			8.1	192.5-220.5	801740
LC-HV 90 215-221 (DN 200) 8"	215-221	200	8"	8.3	196-224	110071
LC-HV 90 222-229	222-229			8.4	199.5-228	801742
LC-HV 90 230-237	230-237			8.5	203.5-232	801743
LC-HV 90 238-245	238-245			8.7	207.5-236	801744
LC-HV 90 246-254	246-254			8.9	211.5-240.5	801745
LC-HV 90 255-262	255-262			9.1	216-244.5	801746
LC-HV 90 259-266	259-266			9.1	218-246.5	801747
LC-HV 90 266-273 (DN 250) 10"	266-273	250	10"	11.1	221.5-250	110072
LC-HV 90 274-282	274-282			11.2	225.5-254.5	801748
LC-HV 90 283-291	283-291			11.4	230-259	801749
LC-HV 90 292-300	292-300			11.6	234.5-263.5	801750
LC-HV 90 301-309	301-309			11.8	239-268	801751
LC-HV 90 310-317	310-317			12.0	243.5-272	801752
LC-HV 90 317-324 (DN 300) 12"	317-324	300	12"	12.0	247-275.5	110073

## LC - Pipe Shoe HV 150



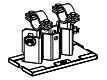
Die LC-Pipe Shoe HV 150 haben einen festen BoP (Bottom of Pipe) Bereich von 116 bis 168.5 mm.

Type	D (pipe) [mm]	DN	Inch	Weight [kg]	MoP	Part number
LC-HV 150 14-18	14-18			3.9	123-177.5	801753
LC-HV 150 18-22 (DN 15) 1/2"	18-22	15	1/2"	4.0	125-179.5	112394
LC-HV 150 23-27 (DN 20) 3/4"	23-27	20	3/4"	4.0	127.5-182	112395
LC-HV 150 26-30	26-30			4.0	129-183.5	801754
LC-HV 150 30-34 (DN 25) 1"	30-34	25	1"	4.0	131-185.5	110074
LC-HV 150 35-39	35-39			4.1	133.5-188	801755

Type	D (pipe) [mm]	DN	Inch	Weight [kg]	MoP	Part number
LC-HV 150 40-44 (DN 32) 1 1/4"	40-44	32	1 1/4"	4.1	136-190.5	110075
LC-HV 150 45-49 (DN 40) 1 1/2"	45-49	40	1 1/2"	4.2	138.5-193	110076
LC-HV 150 50-54	50-54			4.2	141-195.5	801756
LC-HV 150 55-59	55-59			4.3	143.5-198	801757
LC-HV 150 57-61 (DN 50) 2"	57-61	50	2"	4.6	144.5-199	110077
LC-HV 150 62-66	62-66			4.7	147-201.5	801758
LC-HV 150 67-71	67-71			4.7	149.5-204	801759
LC-HV 150 72-77 (DN 65) 2 1/2"	72-77	65	2 1/2"	4.8	152-207	110078
LC-HV 150 78-83	78-83			4.8	155-210	801760
LC-HV 150 84-89 (DN 80) 3"	84-89	80	3"	4.9	158-213	110079
LC-HV 150 89-95	89-95			5.3	160.5-216	801761
LC-HV 150 96-102	96-102			5.3	164-219.5	801762
LC-HV 150 102-109	102-109			5.4	167-223	801763
LC-HV 150 109-115 (DN 100) 4"	109-115	100	4"	5.5	170.5-226	110080
LC-HV 150 115-122	115-122			5.6	173.5-229.5	801764
LC-HV 150 122-128	122-128			5.7	177-232.5	801765
LC-HV 150 128-134	128-134			5.7	180-235.5	801766
LC-HV 150 134-140 (DN 125) 5"	134-140	125	5"	5.8	183-238.5	110081
LC-HV 150 140-146	140-146			5.9	186-241.5	801767
LC-HV 150 146-152	146-152			6.0	189-244.5	801768
LC-HV 150 152-158	152-158			6.0	192-247.5	801769
LC-HV 150 157-163	157-163			6.1	194.5-250	801770
LC-HV 150 163-169 (DN 150) 6"	163-169	150	6"	7.8	197.5-253	110082
LC-HV 150 168-174	168-174			7.8	200-255.5	801771
LC-HV 150 174-180	174-180			7.9	203-258.5	801772
LC-HV 150 181-187	181-187			8.1	206.5-262	801773
LC-HV 150 188-194	188-194			8.2	210-265.5	801777
LC-HV 150 194-200	194-200			8.3	213-268.5	801774
LC-HV 150 201-207	201-207			8.5	216.5-272	801775
LC-HV 150 208-214	208-214			8.6	220-275.5	801776
LC-HV 150 215-221 (DN 200) 8"	215-221	200	8"	8.8	223.5-279	110083
LC-HV 150 222-229	222-229			8.9	227-283	801778
LC-HV 150 230-237	230-237			9.0	231-287	801779
LC-HV 150 238-245	238-245			9.2	235-291	801780
LC-HV 150 246-254	246-254			9.4	239-295.5	801781
LC-HV 150 255-262	255-262			9.5	243.5-299.5	801782
LC-HV 150 259-266	259-266			9.6	245.5-301.5	801783
LC-HV 150 266-273 (DN 250) 10"	266-273	250	10"	11.6	249-305	110084
LC-HV 150 274-282	274-282			11.7	253-309.5	801784
LC-HV 150 283-291	283-291			11.9	257.5-314	801785
LC-HV 150 292-300	292-300			12.1	262-318.5	801786
LC-HV 150 301-309	301-309			12.3	266.5-323	801787
LC-HV 150 310-317	310-317			12.5	271-327	801788
LC-HV 150 317-324 (DN 300) 12"	317-324	300	12"	12.6	274.5-330.5	110085



# LC - Pipe Shoe HV 200



Die LC-Pipe Shoe HV 200 haben einen festen BoP (Bottom of Pipe) Bereich von 171 bis 223.5 mm.

Type	D (pipe) [mm]	DN	Inch	Weight [kg]	MoP	Part number
LC-HV 200 14-18	14-18			4.5	178-232.5	801789
LC-HV 200 18-22 (DN 15) 1/2"	18-22	15	1/2"	4.5	180-234.5	112396
LC-HV 200 23-27 (DN 20) 3/4"	23-27	20	3/4"	4.5	182.5-237	112397
LC-HV 200 26-30	26-30			4.6	184-238.5	801790
LC-HV 200 30-34 (DN 25) 1"	30-34	25	1"	4.6	186-240.5	110086
LC-HV 200 35-39	35-39			4.6	188.5-243	801791
LC-HV 200 40-44 (DN 32) 1 1/4"	40-44	32	1 1/4"	4.9	191-245.5	110087
LC-HV 200 45-49 (DN 40) 1 1/2"	45-49	40	1 1/2"	4.9	193.5-248	110088
LC-HV 200 50-54	50-54			4.8	196-250.5	801792
LC-HV 200 55-59	55-59			4.8	198.5-253	801793
LC-HV 200 57-61 (DN 50) 2"	57-61	50	2"	5.2	199.5-254	110089
LC-HV 200 62-66	62-66			5.2	202-256.5	801794
LC-HV 200 67-71	67-71			5.3	204.5-259	801795
LC-HV 200 72-77 (DN 65) 2 1/2"	72-77	65	2 1/2"	5.3	207-262	110090
LC-HV 200 78-83	78-83			5.4	210-265	801796
LC-HV 200 84-89 (DN 80) 3"	84-89	80	3"	5.4	213-268	110091
LC-HV 200 89-95	89-95			5.8	215.5-271	801797
LC-HV 200 96-102	96-102			5.9	219-274.5	801798
LC-HV 200 102-109	102-109			6.0	222-278	801799
LC-HV 200 109-115 (DN 100) 4"	109-115	100	4"	6.1	225.5-281	110092
LC-HV 200 115-122	115-122			6.1	228.5-284.5	801800
LC-HV 200 122-128	122-128			6.2	232-287.5	801801
LC-HV 200 128-134	128-134			6.3	235-290.5	801802
LC-HV 200 134-140 (DN 125) 5"	134-140	125	5"	6.2	238-293.5	110093
LC-HV 200 140-146	140-146			6.4	241-296.5	801803
LC-HV 200 146-152	146-152			6.5	244-299.5	801804
LC-HV 200 152-158	152-158			6.6	247-302.5	801805
LC-HV 200 157-163	157-163			6.6	249.5-305	801806
LC-HV 200 163-169 (DN 150) 6"	163-169	150	6"	8.4	252.5-308	110094
LC-HV 200 168-174	168-174			8.3	255-310.5	801807
LC-HV 200 174-180	174-180			8.5	258-313.5	801808
LC-HV 200 181-187	181-187			8.6	261.5-317	801809
LC-HV 200 188-194	188-194			8.7	265-320.5	801813
LC-HV 200 194-200	194-200			8.9	268-323.5	801810
LC-HV 200 201-207	201-207			9.0	271.5-327	801811
LC-HV 200 208-214	208-214			9.1	275-330.5	801812
LC-HV 200 215-221 (DN 200) 8"	215-221	200	8"	9.5	278.5-334	110095
LC-HV 200 222-229	222-229			9.4	282-338	801814
LC-HV 200 230-237	230-237			9.6	286-342	801815
LC-HV 200 238-245	238-245			9.7	290-346	801816

Type	D (pipe) [mm]	DN	Inch	Weight [kg]	MoP	Part number
LC-HV 200 246-254	246-254			9.9	294-350.5	801817
LC-HV 200 255-262	255-262			10.1	298.5-354.5	801818
LC-HV 200 259-266	259-266			10.1	300.5-356.5	801819
LC-HV 200 266-273 (DN 250) 10"	266-273	250	10"	12.0	304-360	110096
LC-HV 200 274-282	274-282			12.2	308-364.5	801820
LC-HV 200 283-291	283-291			12.4	312.5-369	801821
LC-HV 200 292-300	292-300			12.6	317-373.5	801822
LC-HV 200 301-309	301-309			12.8	321.5-378	801823
LC-HV 200 310-317	310-317			13.0	326-382	801824
LC-HV 200 317-324 (DN 300) 12"	317-324	300	12"	13.0	329.5-385.5	110097

## LD - Pipe Shoe HV 90



The LD-Pipe shoes HV 90 have a fixed BoP (Bottom of Pipe) range of 88.5 to 113.5 mm.

Type	D (pipe) [mm]	DN	Inch	Weight [kg]	MoP	Part number
LD-HV 90 215-221 (DN 200) 8"	215-221	200	8"	11.9	196-224	112398
LD-HV 90 222-229	222-229			12	199.5-228	801829
LD-HV 90 230-237	230-237			12.2	203.5-232	801830
LD-HV 90 238-245	238-245			12.3	207.5-236	801831
LD-HV 90 246-254	246-254			12.5	211.5-240.5	801832
LD-HV 90 255-262	255-262			12.7	216-244.5	801833
LD-HV 90 259-266	259-266			12.7	218-246.5	801834
LD-HV 90 266-273 (DN 250) 10"	266-273	250	10"	14.5	221.5-250	112399
LD-HV 90 274-282	274-282			14.8	225.5-254.5	801835
LD-HV 90 283-291	283-291			15	230-259	801836
LD-HV 90 292-300	292-300			15.2	234.5-263.5	801837
LD-HV 90 301-309	301-309			15.4	239-268	801838
LD-HV 90 310-317	310-317			15.6	243.5-272	801839
LD-HV 90 317-324 (DN 300) 12"	317-324	300	12"	15.7	247-275.5	112400
LD-HV 90 325-333	325-333			16	251-280	801840
LD-HV 90 334-342	334-342			16.2	255.5-284.5	801841
LD-HV 90 343-350	343-350			16.3	260-288.5	801842
LD-HV 90 349-356 (DN 350) 14"	349-356	350	14"	16.6	263-291.5	110098
LD-HV 90 358-365	358-365			16.9	267.5-296	801843
LD-HV 90 366-374	366-374			17.1	271.5-300.5	801844
LD-HV 90 375-382	375-382			17.3	276-304.5	801845
LD-HV 90 381-388	381-388			17.4	279-307.5	801846
LD-HV 90 389-396	389-396			17.6	283-311.5	801847
LD-HV 90 397-407 (DN 400) 16"	397-407	400	16"	19	287-317	110099
LD-HV 90 408-418	408-418			19.9	292.5-322.5	801848
LD-HV 90 419-429	419-429			20.2	298-328	801849

Type	D (pipe) [mm]	DN	Inch	Weight [kg]	MoP	Part number
LD-HV 90 430-440	430-440			20.5	303.5-333.5	801850
LD-HV 90 441-451	441-451			20.8	309-339	801851
LD-HV 90 447-457	447-457			20.9	312-342	801852
LD-HV 90 458-468	458-468			21.2	317.5-347.5	801853
LD-HV 90 467-477	467-477			21.5	322-352	801854
LD-HV 90 477-487	477-487			21.8	327-357	801855
LD-HV 90 488-498	488-498			22.1	332.5-362.5	801856
LD-HV 90 498-508 (DN 500) 20"	498-508	500	20"	22.4	337.5-367.5	110100
LD-HV 90 509-519	509-519			22.6	343-373	801857
LD-HV 90 520-530	520-530			22.9	348.5-378.5	801858
LD-HV 90 531-541	531-541			23.3	354-384	801859
LD-HV 90 542-552	542-552			23.6	359.5-389.5	801860
LD-HV 90 553-563	553-563			23.9	365-395	801861
LD-HV 90 564-574	564-574			24.2	370.5-400.5	801862
LD-HV 90 575-585	575-585			24.5	376-406	801863
LD-HV 90 586-596	586-596			24.8	381.5-411.5	801864
LD-HV 90 594-604	594-604			25	385.5-415.5	801865
LD-HV 90 600-610 (DN 600) 24"	600-610	600	24"	25.1	388.5-418.5	110101

## LD - Pipe Shoe HV 150



The LD-Pipe shoes HV 150 have a fixedn BoP (Bottom of Pipe) range of 116 to 168.5 mm.

Type	D (pipe) [mm]	DN	Inch	Weight [kg]	MoP	Part number
LD-HV 150 215-221 (DN 200) 8"	215-221	200	8"	13.2	223.5-279	112401
LD-HV 150 222-229	222-229			13.3	227-283	801870
LD-HV 150 230-237	230-237			13.5	231-287	801871
LD-HV 150 238-245	238-245			13.6	235-291	801872
LD-HV 150 246-254	246-254			13.8	239-295.5	801873
LD-HV 150 255-262	255-262			14	243.5-299.5	801874
LD-HV 150 259-266	259-266			14	245.5-301.5	801875
LD-HV 150 266-273 (DN 250) 10"	266-273	250	10"	15.9	249-305	112402
LD-HV 150 274-282	274-282			16.1	253-309.5	801876
LD-HV 150 283-291	283-291			16.3	257.5-314	801877
LD-HV 150 292-300	292-300			16.5	262-318.5	801878
LD-HV 150 301-309	301-309			16.7	266.5-323	801879
LD-HV 150 310-317	310-317			16.9	271-327	801880
LD-HV 150 317-324 (DN 300) 12"	317-324	300	12"	17	274.5-330.5	112403
LD-HV 150 325-333	325-333			17.3	278.5-335	801881
LD-HV 150 334-342	334-342			17.5	283-339.5	801882
LD-HV 150 343-350	343-350			17.7	287.5-343.5	801883
LD-HV 150 349-356 (DN 350) 14"	349-356	350	14"	18.1	290.5-346.5	110102
LD-HV 150 358-365	358-365			18.2	295-351	801884

Type	D (pipe) [mm]	DN	Inch	Weight [kg]	MoP	Part number
LD-HV 150 366-374	366-374			18.4	299-355.5	801885
LD-HV 150 375-382	375-382			18.6	303.5-359.5	801886
LD-HV 150 381-388	381-388			18.8	306.5-362.5	801887
LD-HV 150 389-396	389-396			18.9	310.5-366.5	801888
LD-HV 150 397-407 (DN 400) 16"	397-407	400	16"	20.4	314.5-372	110103
LD-HV 150 408-418	408-418			21.2	320-377.5	801889
LD-HV 150 419-429	419-429			21.5	325.5-383	801890
LD-HV 150 430-440	430-440			21.8	331-388.5	801891
LD-HV 150 441-451	441-451			22.1	336.5-394	801892
LD-HV 150 447-457	447-457			22.3	339.5-397	801893
LD-HV 150 458-468	458-468			22.6	345-402.5	801894
LD-HV 150 467-477	467-477			22.8	349.5-407	801895
LD-HV 150 477-487	477-487			23.1	354.5-412	801896
LD-HV 150 488-498	488-498			23.4	360-417.5	801897
LD-HV 150 498-508 (DN 500) 20"	498-508	500	20"	24.1	365-422.5	110104
LD-HV 150 509-519	509-519			24	370.5-428	801898
LD-HV 150 520-530	520-530			24.3	376-433.5	801899
LD-HV 150 531-541	531-541			24.6	381.5-439	801900
LD-HV 150 542-552	542-552			24.9	387-444.5	801901
LD-HV 150 553-563	553-563			25.2	392.5-450	801902
LD-HV 150 564-574	564-574			25.5	398-455.5	801903
LD-HV 150 575-585	575-585			25.8	403.5-461	801904
LD-HV 150 586-596	586-596			26.1	409-466.5	801905
LD-HV 150 594-604	594-604			26.3	413-470.5	801906
LD-HV 150 600-610 (DN 600) 24"	600-610	600	24"	26.4	416-473.5	110105

## LD - Pipe Shoe HV 200



The LD-Pipe shoes HV 200 have a fixed BoP (Bottom of Pipe) range of 171 to 223.5 mm.

Type	D (pipe) [mm]	DN	Inch	Weight [kg]	MoP	Part number
LD-HV 200 215-221 (DN 200) 8"	215-221	200	8"	14.3	278.5-334	112404
LD-HV 200 222-229	222-229			14.4	282-338	801911
LD-HV 200 230-237	230-237			14.5	286-342	801912
LD-HV 200 238-245	238-245			14.7	290-346	801913
LD-HV 200 246-254	246-254			14.9	294-350.5	801914
LD-HV 200 255-262	255-262			15	298.5-354.5	801915
LD-HV 200 259-266	259-266			15.1	300.5-356.5	801916
LD-HV 200 266-273 (DN 250) 10"	266-273	250	10"	16.9	304-360	112405
LD-HV 200 274-282	274-282			17.1	308-364.5	801917
LD-HV 200 283-291	283-291			17.3	312.5-369	801918
LD-HV 200 292-300	292-300			17.5	317-373.5	801919
LD-HV 200 301-309	301-309			17.7	321.5-378	801920

Type	D (pipe) [mm]	DN	Inch	Weight [kg]	MoP	Part number
LD-HV 200 310-317	310-317			17.9	326-382	801921
LD-HV 200 317-324 (DN 300) 12"	317-324	300	12"	18	329.5-385.5	112406
LD-HV 200 325-333	325-333			18.3	333.5-390	801922
LD-HV 200 334-342	334-342			18.5	338-394.5	801923
LD-HV 200 343-350	343-350			18.7	342.5-398.5	801924
LD-HV 200 349-356 (DN 350) 14"	349-356	350	14"	19	345.5-401.5	110106
LD-HV 200 358-365	358-365			19.3	350-406	801925
LD-HV 200 366-374	366-374			19.5	354-410.5	801926
LD-HV 200 375-382	375-382			19.7	358.5-414.5	801927
LD-HV 200 381-388	381-388			19.8	361.5-417.5	801928
LD-HV 200 389-396	389-396			20	365.5-421.5	801929
LD-HV 200 397-407 (DN 400) 16"	397-407	400	16"	21.4	369.5-427	110107
LD-HV 200 408-418	408-418			22.3	375-432.5	801930
LD-HV 200 419-429	419-429			22.6	380.5-438	801931
LD-HV 200 430-440	430-440			22.9	386-443.5	801932
LD-HV 200 441-451	441-451			23.2	391.5-449	801933
LD-HV 200 447-457	447-457			23.3	394.5-452	801934
LD-HV 200 458-468	458-468			23.6	400-457.5	801935
LD-HV 200 467-477	467-477			23.9	404.5-462	801936
LD-HV 200 477-487	477-487			24.1	409.5-467	801937
LD-HV 200 488-498	488-498			24.4	415-472.5	801938
LD-HV 200 498-508 (DN 500) 20"	498-508	500	20"	24.8	420-477.5	110108
LD-HV 200 509-519	509-519			25	425.5-483	801939
LD-HV 200 520-530	520-530			25.3	431-488.5	801940
LD-HV 200 531-541	531-541			25.6	436.5-494	801941
LD-HV 200 542-552	542-552			25.9	442-499.5	801942
LD-HV 200 553-563	553-563			26.2	447.5-505	801943
LD-HV 200 564-574	564-574			26.5	453-510.5	801944
LD-HV 200 575-585	575-585			26.8	458.5-516	801945
LD-HV 200 586-596	586-596			27.1	464-521.5	801946
LD-HV 200 594-604	594-604			27.4	468-525.5	801947
LD-HV 200 600-610 (DN 600) 24"	600-610	600	24"	27.5	471-528.5	110109

## LC HT - Pipe Shoe HV 150



The LC HT-Pipe shoes HV 150 have a fixed BoP (Bottom of Pipe) range of 116 to 168.5 mm.

Type	D (pipe) [mm]	DN	Inch	Weight [kg]	MoP	Part number
LC-HT HV 150 30-34 (DN 25) 1"	30-34	25	1"	4.0	131-185.5	801039
LC-HT HV 150 40-44 (DN 32) 1 1/4"	40-44	32	1 1/4"	4.1	136-190.5	801041
LC-HT HV 150 45-49 (DN 40) 1 1/2"	45-49	40	1 1/2"	4.2	138.5-193	801042
LC-HT HV 150 57-61 (DN 50) 2"	57-61	50	2"	4.6	144.5-199	801045
LC-HT HV 150 72-77 (DN 65) 2 1/2"	72-77	65	2 1/2"	4.8	152-207	801048
LC-HT HV 150 84-89 (DN 80) 3"	84-89	80	3"	4.9	158-213	801050
LC-HT HV 150 109-115 (DN 100) 4"	109-115	100	4"	5.5	170.5-226	801054
LC-HT HV 150 134-140 (DN 125) 5"	134-140	125	5"	5.8	183-238.5	801058
LC-HT HV 150 163-169 (DN 150) 6"	163-169	150	6"	7.8	197.5-253	801063
LC-HT HV 150 215-221 (DN 200) 8"	215-221	200	8"	8.8	223.5-279	801071

## LC HT - Pipe Shoe HV 200



The LC HT-Pipe shoes HV 200 have a fixed BoP (Bottom of Pipe) range of 171 to 223.5 mm.

Type	D (pipe) [mm]	DN	Inch	Weight [kg]	MoP	Part number
LC-HT HV 200 30-34 (DN 25) 1"	30-34	25	1"	4.6	186-240.5	801089
LC-HT HV 200 40-44 (DN 32) 1 1/4"	40-44	32	1 1/4"	4.7	191-245.5	801091
LC-HT HV 200 45-49 (DN 40) 1 1/2"	45-49	40	1 1/2"	4.8	193.5-248	801092
LC-HT HV 200 57-61 (DN 50) 2"	57-61	50	2"	5.2	199.5-254	801095
LC-HT HV 200 72-77 (DN 65) 2 1/2"	72-77	65	2 1/2"	5.3	207-262	801098
LC-HT HV 200 84-89 (DN 80) 3"	84-89	80	3"	5.4	213-268	801100
LC-HT HV 200 109-115 (DN 100) 4"	109-115	100	4"	6.1	225.5-281	801104
LC-HT HV 200 134-140 (DN 125) 5"	134-140	125	5"	6.2	238-293.5	801108
LC-HT HV 200 163-169 (DN 150) 6"	163-169	150	6"	8.4	252.5-308	801113
LC-HT HV 200 215-221 (DN 200) 8"	215-221	200	8"	9.5	278.5-334	801121

## LD HT - Pipe Shoe HV 150



The LD HT-Pipe shoes HV 150 have a fixed BoP (Bottom of Pipe) range of 116 to 168.5 mm.

Type	D (pipe) [mm]	DN	Inch	Weight [kg]	MoP	Part number
LD-HT HV 150 266-273 (DN 250) 10"	266-273	250	10"	15.9	249-305	801194
LD-HT HV 150 317-324 (DN 300) 12"	317-324	300	12"	17	274.5-330.5	801200
LD-HT HV 150 349-356 (DN 350) 14"	349-356	350	14"	18.1	290.5-346.5	801204
LD-HT HV 150 397-407 (DN 400) 16"	397-407	400	16"	20.4	314.5-372	801210
LD-HT HV 150 447-457 (DN 450) 18"	447-457	450	18"	22.3	339.5-397	801215
LD-HT HV 150 498-508 (DN 500) 20"	498-508	500	20"	24.1	365-422.5	801220
LD-HT HV 150 600-610 (DN 600) 24"	600-610	600	24"	26.4	416-473.5	801230

# LD HT - Pipe Shoe HV 200



The LD HT-Pipe shoes HV 200 have a fixed BoP (Bottom of Pipe) range of 171 to 223.5 mm.

Type	D (pipe) [mm]	DN	Inch	Weight [kg]	MoP	Part number
LD-HV 200 266-273 (DN 250) 10"	266-273	250	10"	16.9	304-360	801242
LD-HV 200 317-324 (DN 300) 12"	317-324	300	12"	18	329.5-385.5	801248
LD-HV 200 349-356 (DN 350) 14"	349-356	350	14"	19	345.5-401.5	801252
LD-HV 200 397-407 (DN 400) 16"	397-407	400	16"	21.4	369.5-427	801258
LD-HV 200 447-457 (DN 450) 18"	447-457	450	18"	23.3	394.5-452	801263
LD-HV 200 498-508 (DN 500) 20"	498-508	500	20"	24.8	420-477.5	801268
LD-HV 200 600-610 (DN 600) 24"	600-610	600	24"	27.5	471-528.5	801278

# LK - Pipe Shoe HV 150



The LK-Pipe shoes HV 150 have a fixed BoP (Bottom of Pipe) range of 116 to 168.5 mm.

Type	Diameter [mm]	DN	Weight [kg]	BoP	MoP	Part number
LK - HV 150 (DN 25)	33.7	25	4.1	137.5-167.5	154.35-184.35	110110
LK - HV 150 (DN 32)	42.4	32	4.2	137.5-167.5	158.7-188.7	110111
LK - HV 150 (DN 40)	48.3	40	4.3	137.5-167.5	161.65-191.65	110112
LK - HV 150 (DN 50)	60.3	50	4.4	137.5-167.5	167.65-197.65	110113
LK - HV 150 (DN 65)	76.1	65	6.2	147.5-177.5	185.55-215.55	110114
LK - HV 150 (DN 80)	88.9	80	6.6	147.5-177.5	191.95-221.95	110115
LK - HV 150 (DN 100)	114.3	100	12.0	150-180	207.15-237.15	110116
LK - HV 150 (DN 125)	139.7	125	13.9	150-180	219.85-249.85	110117
LK - HV 150 (DN 150)	168.3	150	14.5	150-180	234.15-264.15	110118
LK - HV 150 (DN 200)	219.1	200	16.6	150-180	259.55-289.55	110119
LK - HV 150 (DN 250)	273.0	250	18.6	150-180	286.5-316.5	110120
LK - HV 150 (DN 300)	323.9	300	24.2	150-160	311.95-321.95	110121

**sikla**

**Sikla GmbH**

In der Lache 17  
D-78056 VS-Schwenningen

**International Sales**

inquiries.de@sikla.com  
Phone +497720 948 0

[www.sikla.com](http://www.sikla.com)